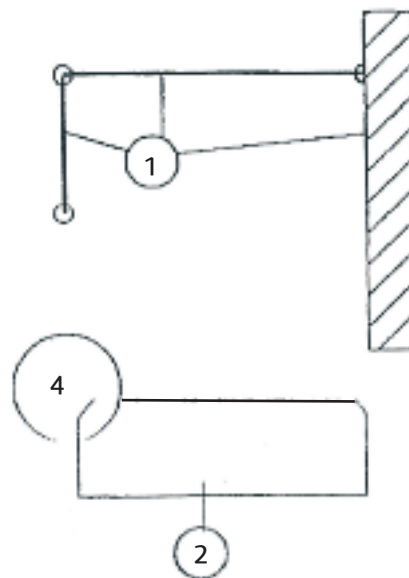
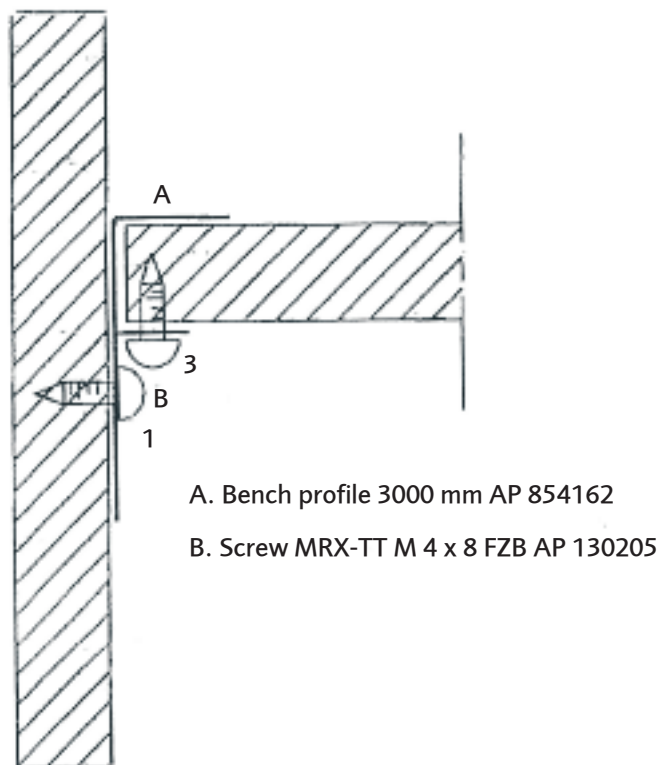


SPACE

Bench

BENCH ASSEMBLY INSTRUCTIONS



DO THIS

1. Screw the seat bench profile into the cubicle walls and if there are also in the existing walls.
2. If necessary, saw off the corners on the bench where there are vertical Space profiles.
3. Insert the bench into the fixed profile. Screw the bench from below.
4. Place the bench profile on the front edge bench, attached from below.